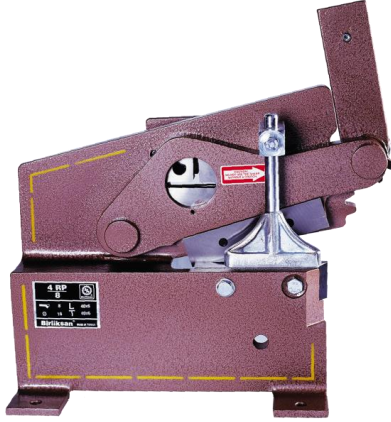
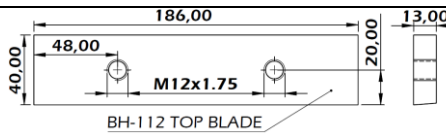
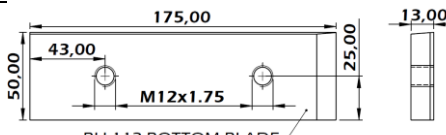
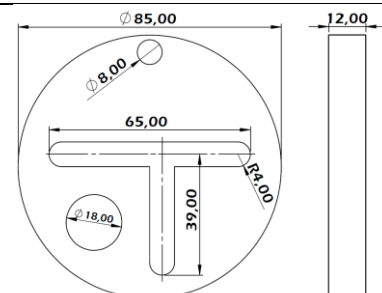

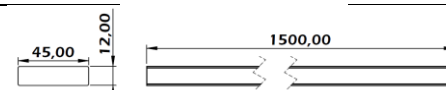


ANGLE IRON SHEAR



Technical Details

Sheet Metal	8mm
Flat Metal	80*8mm
Round Iron	Ø16mm
Square Iron	16mm
L Angle Iron	40*6mm
T Angle Iron	40*6mm
Shear + Handle Weight	38+8kg
Box Weight (1adet)	39 ±2kg
Box Outside Dimensions	23*52*55cm ±1cm

Spare Parts List	Part Descriptions	Code
	Plate Shear Blades (2 pcs.)	BC-112-1100
 <p>BH-112 TOP BLADE</p>	Plate Shear Blades - Top	BC-112-1110
 <p>BH-112 BOTTOM BLADE</p>	Plate Shear Blades - Bottom	BC-112-1111
	Top Blades Set (2 pcs.)	BC-112-1200
	Round Blade - Body Round Blade - Slider	BC-111-1210 BC-111-1211
	Other Spare Parts	
	Spring - Right	YP-112-1300-R
	Handle	YP-112-1301