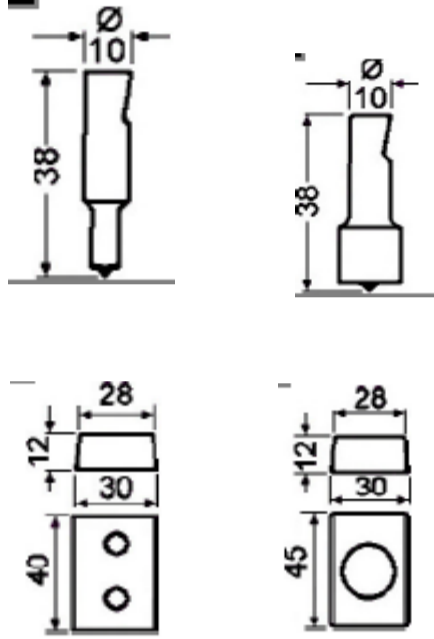


ZIMBA MAKİNASI
PUNCHING MACHINE

KOD	ART.NO.	BH-228-1000
MODEL	TYP.	1BH/5 Z. (21/12)
ZIMBA	PUNCHES	8 MM
MATRİS	DIAMETER	8,2 MM
Ağırlık	WEIGHT	25+3
Ambalaj	PACKING BOX	1

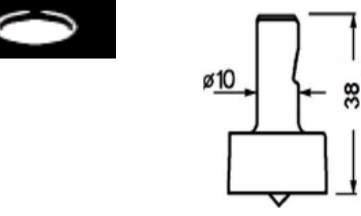
SYM	PARÇA ADI	DECRPTION	ART.NO.
-----	-----------	-----------	---------

ZIMBA - YUVARLAK & PUNCH-ROUND	ZIMBA BIÇAĞI-YUVARLAK	PUNCHES-ROUND	BC-228-1003 PR
	ZIMBA BIÇAĞI-YUVARLAK	PUNCHES-ROUND	BC-228-1004 PR
	ZIMBA BIÇAĞI-YUVARLAK	PUNCHES-ROUND	BC-228-1005 PR
	ZIMBA BIÇAĞI-YUVARLAK	PUNCHES-ROUND	BC-228-1006 PR
	ZIMBA BIÇAĞI-YUVARLAK	PUNCHES-ROUND	BC-228-1007 PR
	ZIMBA BIÇAĞI-YUVARLAK	PUNCHES-ROUND	BC-228-1008 PR
	ZIMBA BIÇAĞI-YUVARLAK	PUNCHES-ROUND	BC-228-1009 PR
	ZIMBA BIÇAĞI-YUVARLAK	PUNCHES-ROUND	BC-228-1010 PR
	ZIMBA BIÇAĞI-YUVARLAK	PUNCHES-ROUND	BC-228-1011 PR
	ZIMBA BIÇAĞI-YUVARLAK	PUNCHES-ROUND	BC-228-1012 PR
	ZIMBA BIÇAĞI-YUVARLAK	PUNCHES-ROUND	BC-228-1013 PR
	ZIMBA BIÇAĞI-YUVARLAK	PUNCHES-ROUND	BC-228-1014 PR
	ZIMBA BIÇAĞI-YUVARLAK	PUNCHES-ROUND	BC-228-1015 PR
	ZIMBA BIÇAĞI-YUVARLAK	PUNCHES-ROUND	BC-228-1016 PR
	ZIMBA BIÇAĞI-YUVARLAK	PUNCHES-ROUND	BC-228-1018 PR
	ZIMBA BIÇAĞI-YUVARLAK	PUNCHES-ROUND	BC-228-1020 PR

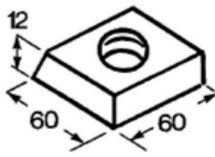


MATRİS BIÇAĞI-YUVARLAK	DIAMETER-ROUND	BC-228-1032 DR
MATRİS BIÇAĞI-YUVARLAK	DIAMETER-ROUND	BC-228-1042 DR
MATRİS BIÇAĞI-YUVARLAK	DIAMETER-ROUND	BC-228-1052 DR
MATRİS BIÇAĞI-YUVARLAK	DIAMETER-ROUND	BC-228-1062 DR
MATRİS BIÇAĞI-YUVARLAK	DIAMETER-ROUND	BC-228-1072 DR
MATRİS BIÇAĞI-YUVARLAK	DIAMETER-ROUND	BC-228-1082 DR
MATRİS BIÇAĞI-YUVARLAK	DIAMETER-ROUND	BC-228-1092 DR
MATRİS BIÇAĞI-YUVARLAK	DIAMETER-ROUND	BC-228-1102 DR
MATRİS BIÇAĞI-YUVARLAK	DIAMETER-ROUND	BC-228-1112 DR
MATRİS BIÇAĞI-YUVARLAK	DIAMETER-ROUND	BC-228-1132 DR
MATRİS BIÇAĞI-YUVARLAK	DIAMETER-ROUND	BC-228-1142 DR
MATRİS BIÇAĞI-YUVARLAK	DIAMETER-ROUND	BC-228-1152 DR
MATRİS BIÇAĞI-YUVARLAK	DIAMETER-ROUND	BC-228-1162 DR
MATRİS BIÇAĞI-YUVARLAK	DIAMETER-ROUND	BC-228-1182 DR
MATRİS BIÇAĞI-YUVARLAK	DIAMETER-ROUND	BC-228-1202 DR

SPECIAL PUNCH & DIAMETER & APPARATUS



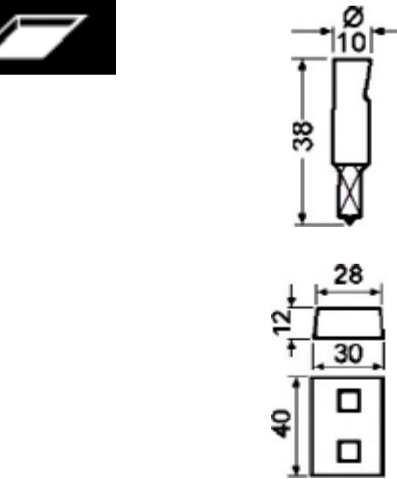
ÖZEL APARATI İLE KULLANILIR SPECIAL APPARATUS



ZIMBA BIÇAĞI-YUVARLAK	PUNCHES-ROUND	BC-228-2022 PR
ZIMBA BIÇAĞI-YUVARLAK	PUNCHES-ROUND	BC-228-2024 PR
ZIMBA BIÇAĞI-YUVARLAK	PUNCHES-ROUND	BC-228-2025 PR
ZIMBA BIÇAĞI-YUVARLAK	PUNCHES-ROUND	BC-228-2026 PR
ZIMBA BIÇAĞI-YUVARLAK	PUNCHES-ROUND	BC-228-2028 PR
ZIMBA BIÇAĞI-YUVARLAK	PUNCHES-ROUND	BC-228-2030 PR
ZIMBA BIÇAĞI-YUVARLAK	PUNCHES-ROUND	BC-228-2035 PR
ZIMBA BIÇAĞI-YUVARLAK	PUNCHES-ROUND	BC-228-2040 PR
ZIMBA BIÇAĞI-YUVARLAK	PUNCHES-ROUND	BC-228-2045 PR

MATRİS BIÇAĞI-YUVARLAK	DIAMETER-ROUND	BC-228-2222 DR
MATRİS BIÇAĞI-YUVARLAK	DIAMETER-ROUND	BC-228-2242 DR
MATRİS BIÇAĞI-YUVARLAK	DIAMETER-ROUND	BC-228-2252 DR
MATRİS BIÇAĞI-YUVARLAK	DIAMETER-ROUND	BC-228-2262 DR
MATRİS BIÇAĞI-YUVARLAK	DIAMETER-ROUND	BC-228-2282 DR
MATRİS BIÇAĞI-YUVARLAK	DIAMETER-ROUND	BC-228-2302 DR
MATRİS BIÇAĞI-YUVARLAK	DIAMETER-ROUND	BC-228-2352 DR
MATRİS BIÇAĞI-YUVARLAK	DIAMETER-ROUND	BC-228-2402 DR
MATRİS BIÇAĞI-YUVARLAK	DIAMETER-ROUND	BC-228-2452 DR

SPECIAL PUNCH & DIAMETER - SQUARE



ZIMBA BIÇAĞI-KARE	PUNCHES-SQUARE	BC-228-3010 PSQ
ZIMBA BIÇAĞI-KARE	PUNCHES-SQUARE	BC-228-3012 PSQ
ZIMBA BIÇAĞI-KARE	PUNCHES-SQUARE	BC-228-3014 PSQ
ZIMBA BIÇAĞI-KARE	PUNCHES-SQUARE	BC-228-3016 PSQ
ZIMBA BIÇAĞI-KARE	PUNCHES-SQUARE	BC-228-3018 PSQ
ZIMBA BIÇAĞI-KARE	PUNCHES-SQUARE	BC-228-3020 PSQ

MATRİS BIÇAĞI-KARE	DIAMETER-SQUARE	BC-228-3102 DSQ
MATRİS BIÇAĞI-KARE	DIAMETER-SQUARE	BC-228-3122 DSQ
MATRİS BIÇAĞI-KARE	DIAMETER-SQUARE	BC-228-3142 DSQ
MATRİS BIÇAĞI-KARE	DIAMETER-SQUARE	BC-228-3162 DSQ
MATRİS BIÇAĞI-KARE	DIAMETER-SQUARE	BC-228-3182 DSQ
MATRİS BIÇAĞI-KARE	DIAMETER-SQUARE	BC-228-3202 DSQ



MAKAS YAYI - SAG + SOL	SPRING - RIGHT+LEFT	YP-228-1300-R+L
MAKAS YAYI - SAG	SPRING - RIGHT	YP-228-1301-R
MAKAS YAYAI - SOL	SPRING - LEFT	YP-228-1302-L



MAKAS KOLU 35*10*850	HANDLE - 35*10*850	YP-228-1303
----------------------	--------------------	-------------